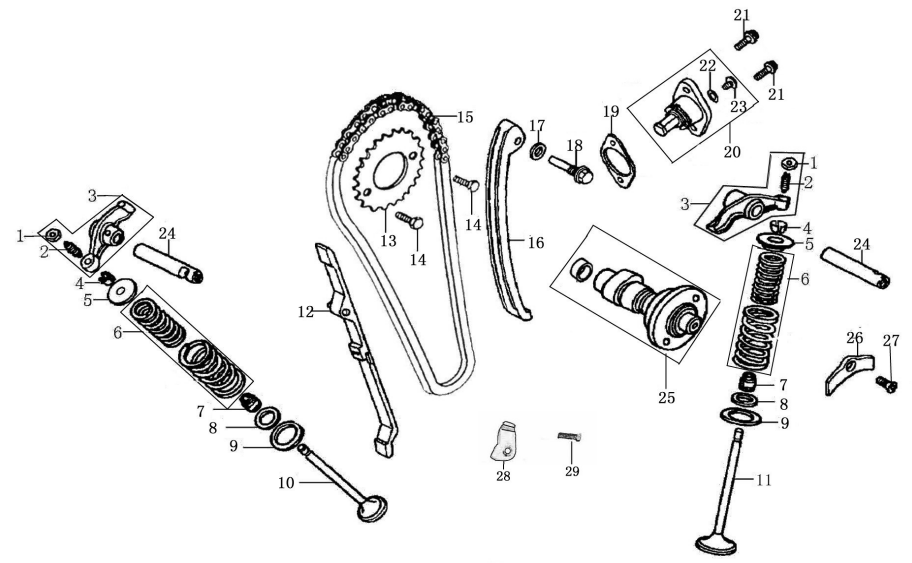


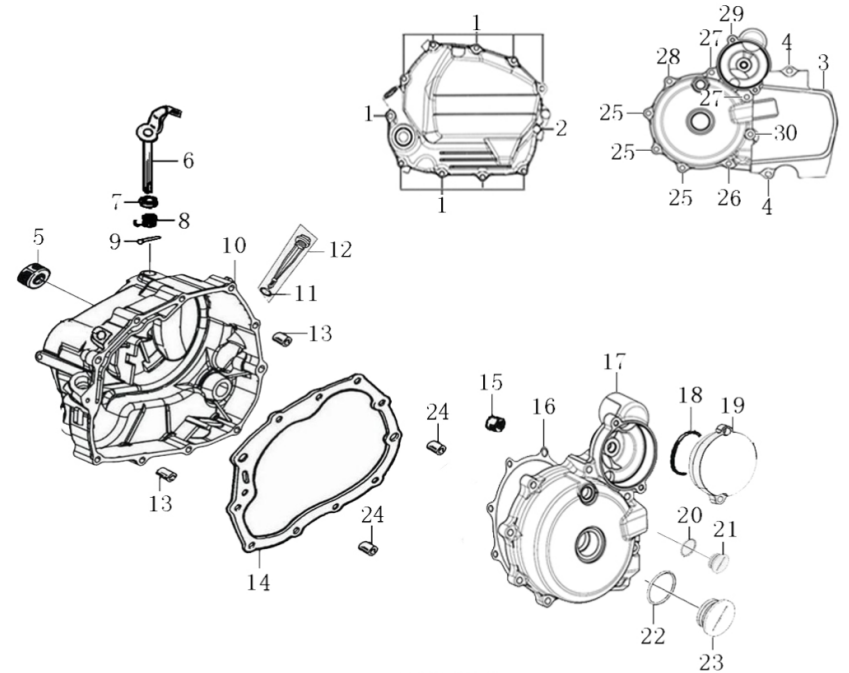


	PART CODE	CHINESE DESCRIPTION	ENGLISH DESCRIPTION
1	<a href="#">100105158</a>	CB125脚气门间隙调节螺母	NUT, VALVE CLEARANCE
2	<a href="#">100105168</a>	CB125脚气门间隙调节螺钉	SCREW, VALVE CLEARANCE
3	<a href="#">100105180</a>	CB125脚气门摇臂组合	ROCKER ARM ASSEMBLY, VALVE
4	<a href="#">100051841</a>	CB125脚气门锁夹(改进型)	VALVE LOCKER
5	<a href="#">100105307</a>	CB125脚气门弹簧座(上)	SPRING SEAT
6	<a href="#">100105329</a>	CB125脚气门内外弹簧组合	INNER SPRING, ASSY
7	<a href="#">100105336</a>	CG125D挡油罩组合	SEAL, VALVE STEM
8	<a href="#">100105325</a>	CG125D气门内弹簧座圈(下)	SPRING SEAT
9	<a href="#">100105315</a>	CG125D气门外弹簧座圈(下)	OUTER VALVE SPRING RETAINER
10	<a href="#">100200647</a>	CB200-C排气门(堆焊合金)	EXHAUST VALVE
11	<a href="#">100200596</a>	CB200-C进气门	INTAKE VALVE
12	<a href="#">100105226</a>	CB250D-G链条导向板组合	GUIDE PLATE CHAIN
13	<a href="#">100105055</a>	CB200正时从动链轮(34齿)	TIMING DRIVEN SPROCKET
14	<a href="#">100011171</a>	GB5783螺栓M6×12(兰白锌)	BOLT M6×12
15	<a href="#">100105129</a>	CB250D-G正时链条组合(7×104)	SPROCKET CHAIN
16	<a href="#">100200480</a>	CB250D-G链条张紧板组合	TENSION PLATE ASSY
17	<a href="#">100106544</a>	平垫圈(φ8×1.5×φ14)	WASHER 8.5×1.5×14
18	<a href="#">100100363</a>	CB125脚张紧条芯轴螺栓(兰白)	BOLT
19	<a href="#">100104605</a>	CB125D张紧器密封垫	GASKET, TENSIONER
20	<a href="#">100108552</a>	CB125D张紧器组合(带螺栓_带)	LIFTER ASSY
21	<a href="#">100010837</a>	GB70.1螺栓M6×16(兰白锌)	SCREW M6×16
22	<a href="#">100107848</a>	O型圈(φ9×1.8_氟硅胶)	O-RING 9×1.8
23	<a href="#">100108598</a>	CB125Z张紧器密封螺栓M6×6(	BOLT M6×6
24	<a href="#">100105149</a>	CB125脚气门摇臂轴(2#_PDK专	ROCKER SHAFT
25	<a href="#">100200200</a>	CB250D-G凸轮轴部件(TPI轴承_	GAMP SHAFT COMP
26	<a href="#">100102809</a>	CB125脚气门摇臂轴定位板	POSITION PLATE, ROCKER SHAFT
27	<a href="#">100010972</a>	GB819.1螺钉M6×16(兰白锌)	SCREW M6×16
28	<a href="#">100202747</a>	CB200链条护板组合	ASSEMBLY, CHAIN PROTECT PLATE
29	<a href="#">100011173</a>	GB5783螺栓M6×16(兰白锌)	BOLT M6×16



配气机构 VALVE MECHANISM

	PART CODE	CHINESE DESCRIPTION	ENGLISH DESCRIPTION
1	<a href="#">100011538</a>	GB16674小盘螺栓M6×40(兰白)	BOLT M6×40
2	<a href="#">100011540</a>	GB16674小盘螺栓M6×50(兰白)	BOLT M6×50
3	<a href="#">100103112</a>	CB125D左后盖(CB125D-普通-1)	BACK PART, L.CRANKCASE COVER
4	<a href="#">100055587</a>	GB16674小盘螺栓M6×28(兰白)	BOLT M6×28
5	<a href="#">100104733</a>	CB125脚启动轴油封(16×28×7)	OIL SEAL 16×28×7
6	<a href="#">100203159</a>	PZ125离合器操纵臂组合(锻件)	CONTROLLING ARM ASSEMBLY, CLUTCH
7	<a href="#">100104754</a>	CB125脚离合器操纵臂油封(12	OIL SEAL 12×22×5
8	<a href="#">100103443</a>	CB125脚离合器操纵臂弹簧	CLUTCH CONTROLLING ARM SPRING
9	<a href="#">100100636</a>	CB125脚操纵臂卡销(发黑)	CLUTCH LEVER PIN
10	<a href="#">100202028</a>	CG125D右盖组合(普通款-3#_	COVER COMP. RIGHT CRANKCASE
11	<a href="#">100031573</a>	O型圈(φ18×3_丁腈胶)	O-RING 18×3
12	<a href="#">100104887</a>	CB125脚机油尺组合(整体式_	OIL RULER ASSY
13	<a href="#">100100868</a>	定位销φ8×14×φ6.3	PIN 8×14×6.3
14	<a href="#">100104571</a>	CG125D右曲轴箱盖密封垫	GASKET, R.CRANKCASE COVER
15	<a href="#">100101202</a>	CG125D含油轴承(铁基)	BEARING
16	<a href="#">100104547</a>	CB125D左曲轴箱前盖密封垫	GASKET, L.CRANKCASE COVER
17	<a href="#">100102790</a>	CB125D左盖(普通款_ZONGSHE	FRONT PART, L.CRANKCASE COVER
18	<a href="#">100107808</a>	O型圈(φ62×3_丁腈胶)	O-RING 63×2.65
19	<a href="#">100100006</a>	CB125D双联齿轮盖(老款_ELEC	Cover Reduction Gear
20	<a href="#">100010074</a>	O型圈(φ13.2×2.65_丁腈胶)	O-RING 13.2×2.65
21	<a href="#">100103059</a>	C100小视孔盖(8805)	CAP, SMALL VIEW HOLE
22	<a href="#">100107731</a>	O型圈(φ27.4×2.65_丁腈胶)	O-RING 27.4×2.65
23	<a href="#">100103062</a>	C100大视孔盖(8805)	Cap Big View Hole
24	<a href="#">100100868</a>	定位销φ8×14×φ6.3	PIN 8×14×6.3
25	<a href="#">100011534</a>	GB16674小盘螺栓M6×25(兰白)	BOLT M6×25
26	<a href="#">100011539</a>	GB16674小盘螺栓M6×45(兰白)	BOLT M6×45
27	<a href="#">100031958</a>	GB16674小盘螺栓M6×55(兰白)	BOLT M6×55
28	<a href="#">100011537</a>	GB16674小盘螺栓M6×35(兰白)	BOLT M6×35
29	<a href="#">100055588</a>	GB16674小盘螺栓M6×20(兰白)	BOLT M6×20
30	<a href="#">100011542</a>	GB16674小盘螺栓M6×60(兰白)	BOLT M6×60

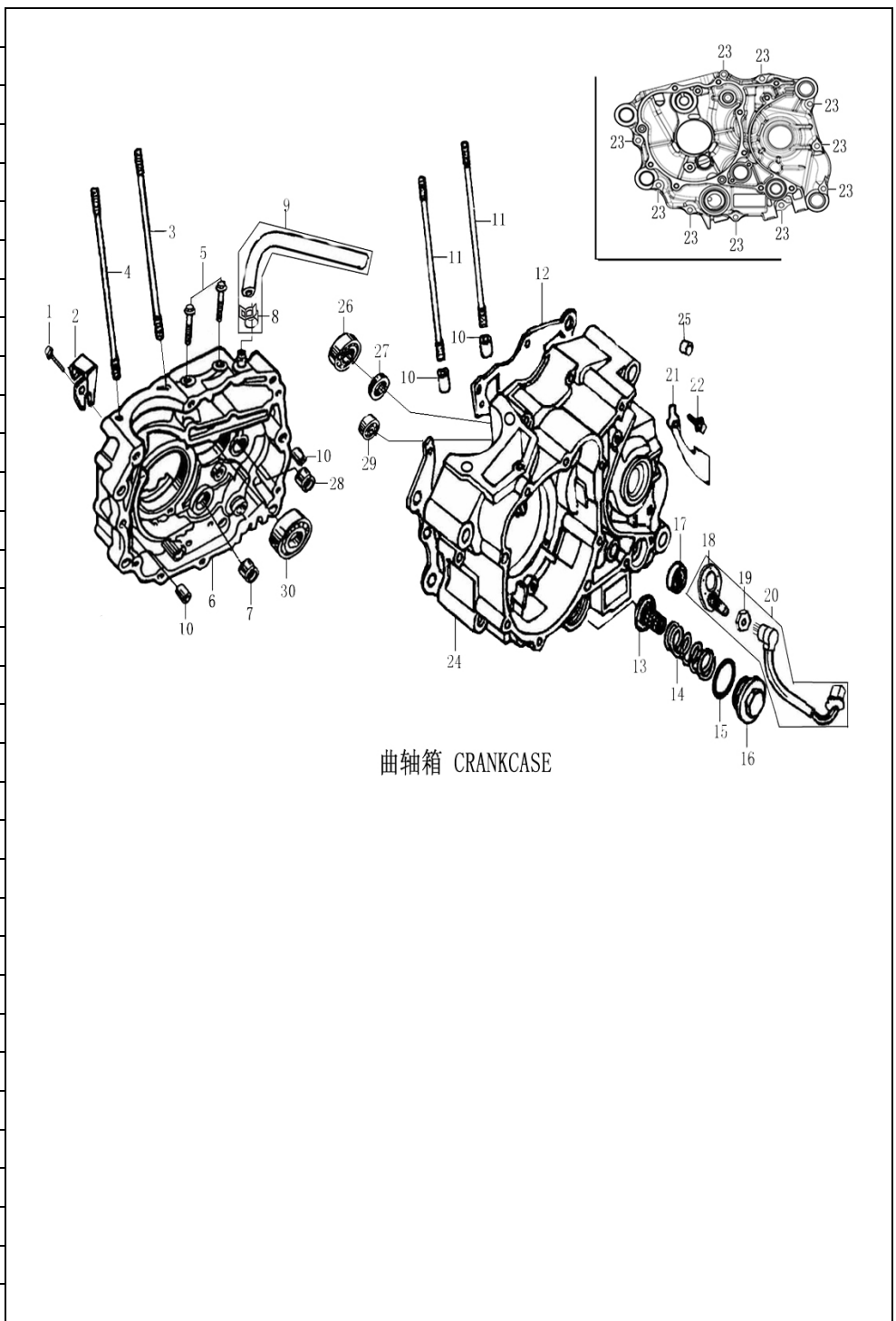


曲轴箱盖  
CRANKCASE COVER



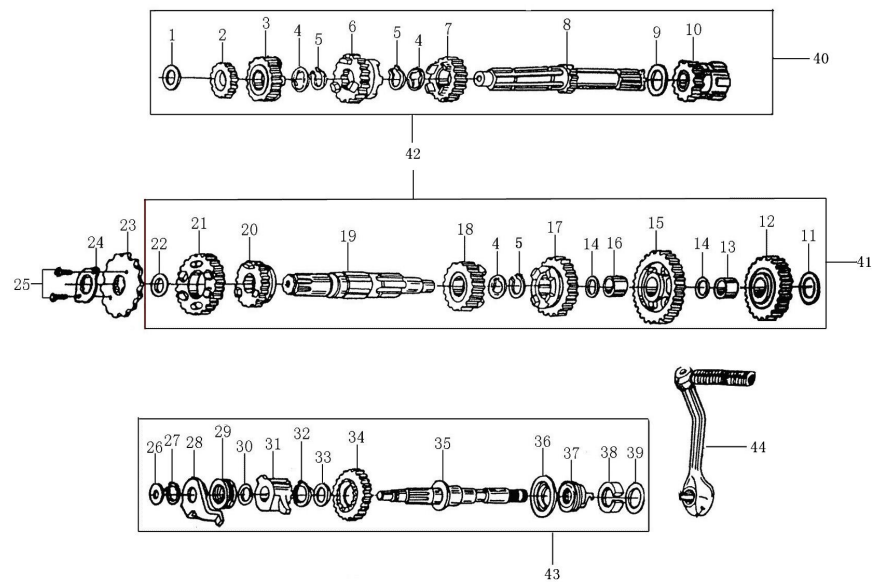


	PART CODE	CHINESE DESCRIPTION	ENGLISH DESCRIPTION
1	<a href="#">100031958</a>	GB16674小盘螺栓M6×55(兰白)	BOLT M6×55
2	<a href="#">100106283</a>	PZ125离合器钢索支架(2#_兰白)	HOLDER,CLUTCH CABLE
3	<a href="#">100100310</a>	CB200气缸双头螺栓B(229mm)	CYLINDER STUD BOLT B
4	<a href="#">100100311</a>	CB200气缸双头螺栓B(2#_229mm)	CYLINDER STUD BOLT B
5	<a href="#">100055587</a>	GB16674小盘螺栓M6×28(兰白)	BOLT M6×28
6	<a href="#">100206149</a>	CB250D-G右曲轴箱组合(低噪音)	RIGHT CRANKCASE BLOCK
7	<a href="#">100101062</a>	轴承(HK21×28×10_滚针)	BEARING (HK212810)
8	<a href="#">100105484</a>	CG125D废气循环管I卡箍	CLAMP
9	<a href="#">100102977</a>	CG125D通气管组件(1#_复合层)	PIPE ASSY
10	<a href="#">100010557</a>	定位销φ10×14	PIN 10×14
11	<a href="#">100100255</a>	IB175-FC气缸双头螺栓A(240mm)	CYLINDER STUD BOLT A
12	<a href="#">100208718</a>	CB250D-G曲轴箱密封垫	GASKET,CRANKCASE
13	<a href="#">100104943</a>	CB125脚机油过滤网组合	STRAINER,OIL FILTER
14	<a href="#">100104866</a>	CB125脚机油过滤网弹簧	SPRING,OIL FILTER STRAINER
15	<a href="#">100107766</a>	O型圈(φ35×3_氟硅胶)	O-RING 35×3
16	<a href="#">100102871</a>	CB125脚气门室盖(抛丸钝化)	COVER, VALVE CHAMBER
17	<a href="#">100104650</a>	CB125脚换挡臂油封(14×28×7)	OIL-SEAL 14×28×7
18	<a href="#">100208351</a>	CB125D档显板(五档国际)	GEARSHIFT SWITCH PLATE
19	<a href="#">100100526</a>	CB125D档显板螺母M10	NUT
20	<a href="#">100208408</a>	CB125D档显线束(五档国际_接)	GEARSHIFT SWITCH LAMP
21	<a href="#">100102901</a>	CG125D挡线片	POSITION PLATE
22	<a href="#">100055591</a>	GB16674小盘螺栓M6×12(兰白)	BOLT M6×12
23	<a href="#">100011540</a>	GB16674小盘螺栓M6×50(兰白)	BOLT M6×50
24	<a href="#">100102948</a>	CB133左曲轴箱组合(热装_880)	LEFT CRANKCASE BLOCK
25	<a href="#">100101202</a>	CG125D含油轴承(铁基)	BEARING
26	<a href="#">100010679</a>	轴承(6204)	BEARING (6204)
27	<a href="#">100104700</a>	CB125脚副轴油封(20×34×7_丁)	OIL SEAL 20×34×7
28	<a href="#">100101072</a>	轴承(NK15×23×12_滚针)	BEARING (NK152312)
29	<a href="#">100101026</a>	轴承(TM6202Z)	BEARING (TM6202Z)
30	<a href="#">100100945</a>	轴承(6006_C3)	BEARING (6006_C3)





	PART CODE	CHINESE DESCRIPTION	ENGLISH DESCRIPTION
1	<a href="#">100106510</a>	平垫圈(φ15.2×1×φ25_工具钢)	WASHER 15.2×1×25
2	<a href="#">100103627</a>	CG200-A水冷主轴2档齿轮	GEAR M-2
3	<a href="#">100103630</a>	CG200-A水冷主轴5档齿轮	GEAR M-5
4	<a href="#">100103647</a>	CB125脚齿轮隔圈(17.3(20)×1.6	WASHER
5	<a href="#">100100596</a>	70启动轴挡圈(φ18.5×1.2×φ22.4	CIRCLI φ18.5×1.2×φ22.4
6	<a href="#">100103629</a>	CG200-A水冷主轴4档齿轮	GEAR M-4
7	<a href="#">100103628</a>	CG200-A水冷主轴3档齿轮	GEAR M-3
8	<a href="#">100052667</a>	CG200-A水冷主轴芯轴	TRANSMISSION MAIN SHAFT
9	<a href="#">100106525</a>	平垫圈(φ20.2×0.5×φ27)	WASHER 20.2×0.5×27
10	<a href="#">100053061</a>	CG125D主轴启动齿轮组合(4#)	FINAL SHAFT
11	<a href="#">100106511</a>	平垫圈(φ15.2×1×φ30)	WASHER 15.2×1×30
12	<a href="#">100103778</a>	CG125D副轴启动过桥齿轮	GEAR
13	<a href="#">100103565</a>	CG125D副轴启动齿轮衬套	GEAR BUSH
14	<a href="#">100106434</a>	平垫圈(φ16.5×0.5×φ24)	WASHER 16.5×0.5×24
15	<a href="#">100103743</a>	SB250海啸副轴1档齿轮	GEAR C-1
16	<a href="#">100203405</a>	CB125脚副轴1档齿轮衬套	GEAR BUSH
17	<a href="#">100103741</a>	CG200-A水冷副轴3档齿轮(2#)	GEAR C-3
18	<a href="#">100103739</a>	CG200-A水冷副轴4档齿轮	GEAR C-4
19	<a href="#">100103689</a>	CG125D五档副轴芯轴(1#)	TRANSMISSION COUNTER SHAFT
20	<a href="#">100103740</a>	CG200-A水冷副轴5档齿轮	GEAR C-5
21	<a href="#">100103737</a>	CG200-A水冷副轴2档齿轮	GEAR C-2
22	<a href="#">100106460</a>	平垫圈(φ20×1×φ27)	WASHER 20×1×27
23	<a href="#">100103810</a>	CG125D主动链轮(428.15)	DRIVE SPROCKET
24	<a href="#">100103850</a>	CB125脚主动链轮固定板	FIXING PLATE,DRIVE SPROCKET
25	<a href="#">100031911</a>	GB5783螺栓M6×10(兰白锌)	BOLT M6×10
26	<a href="#">100106396</a>	平垫圈(φ12.1×1×φ18)	WASHER 12.1×1×18
27	<a href="#">100011098</a>	GB894.1挡圈16(轴径16_内径16)	CIRCLIP 16
28	<a href="#">100105793</a>	CG125D棘轮导板组合	GUIDE PLATE ASS.
29	<a href="#">100105788</a>	CG125D启动棘轮弹簧	SPRING, KICK STARTING RATCHET WHEEL
30	<a href="#">100106425</a>	平垫圈(φ16.1×1×φ24_弹簧钢)	WASHER 16.1×1×24
31	<a href="#">100105783</a>	CG125D启动棘轮	STARTING RATCHET
32	<a href="#">100100598</a>	CG125D启动轴弹性挡圈(φ18.5×1.2×φ22.4	CIRCLI φ18.5×1.2×φ22.4
33	<a href="#">100106522</a>	平垫圈(φ20×0.5×φ27_工具钢)	WASHER 20×0.5×27



传动机构  
TRANSMISSION MECHANISM











