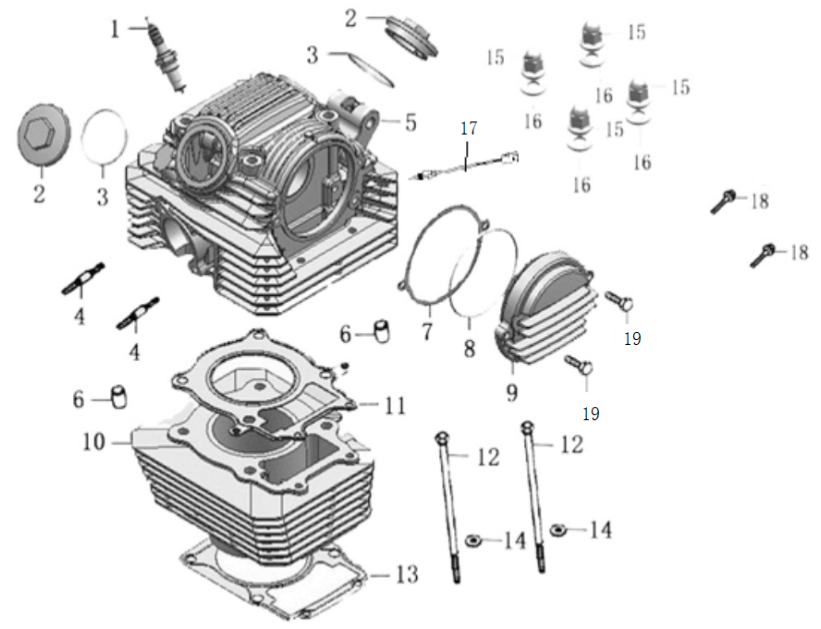
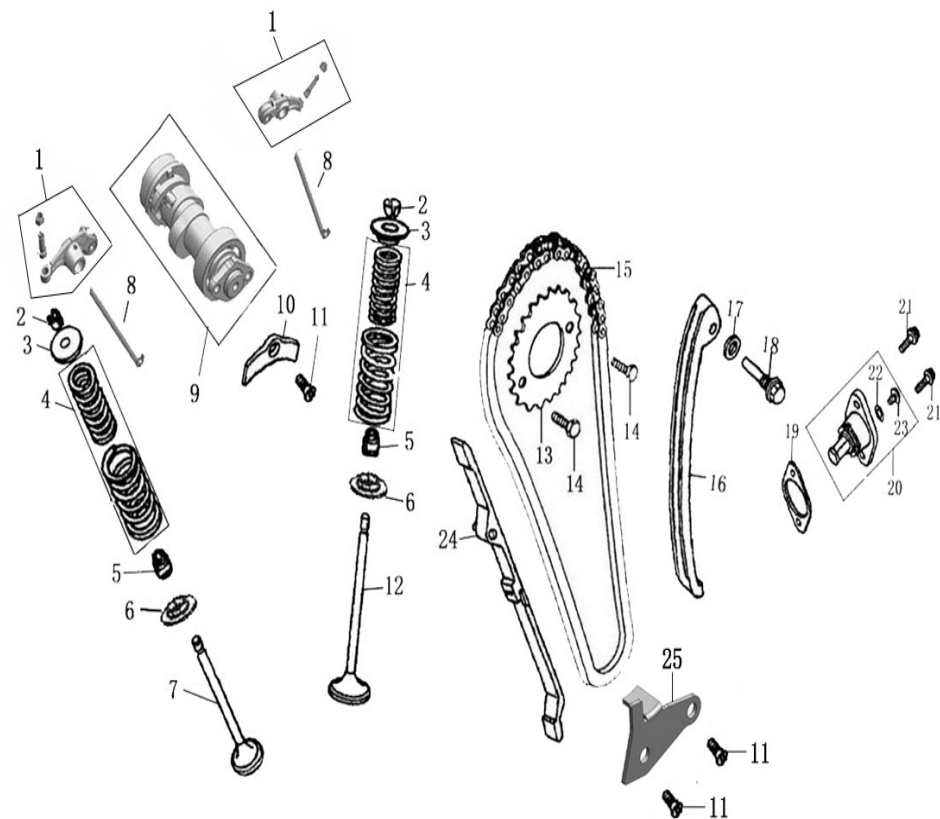


	PART CODE	CHINESE DESCRIPTION	ENGLISH DESCRIPTION
1	100104142	CB125脚火花塞部件(NC	Spark Plug
2	100102870	YB110气门室盖(8806)	Cover Valve Chamber
3	100107782	O型圈($\phi 45 \times 3$ _氟橡胶)	O-Ring, $\phi 45 \times 3$
4	100100438	CG125D缸头排气口双头	Bolt,M8×38
5	100065701	CPS250电喷气缸头组合	Cylinder Head Assy
6	100031687	定位销 $\phi 10 \times 20$	Pin, $\phi 10 \times 20$
7	100104541	CPS250气缸头左盖密封	Gasket L Cylinder Head C
8	100102710	O型圈($\phi 80 \times 2.65$ _氟橡胶)	O-Ring, $\phi 80 \times 2.65$
9	100102867	CPS250缸头左盖(8806)	Left Cover Cylinder Head
10	100779742	PR300气缸体部件(缸标	Cylinder Block Assembly
11	100749346	CPS250气缸头密封垫组	Gasket Assy Cylinder Hea
12	100204670	CB200缸头箱体连接螺	Bolt,M6×113
13	100778723	PR300气缸体密封垫	Gasket Cylinder Block
14	100125679	平垫圈($\phi 6.2 \times 1 \times \phi 12$ _ST	Washer, $\phi 6.2 \times 1 \times \phi 12$
15	100100508	CB125脚缸头盖盖形螺	Nut M8
16	100106576	平垫圈($\phi 8.5 \times 2 \times \phi 18$)	Washer, $\phi 8.5 \times 2 \times \phi 18$
17	100102806	ZY150电喷缸头温度传	Temperature Sensor
18	100055588	GB16674小盘螺栓M6×2	Bolt, M6×20
19	100055588	GB16674小盘螺栓M6×2	Bolt, M6×20



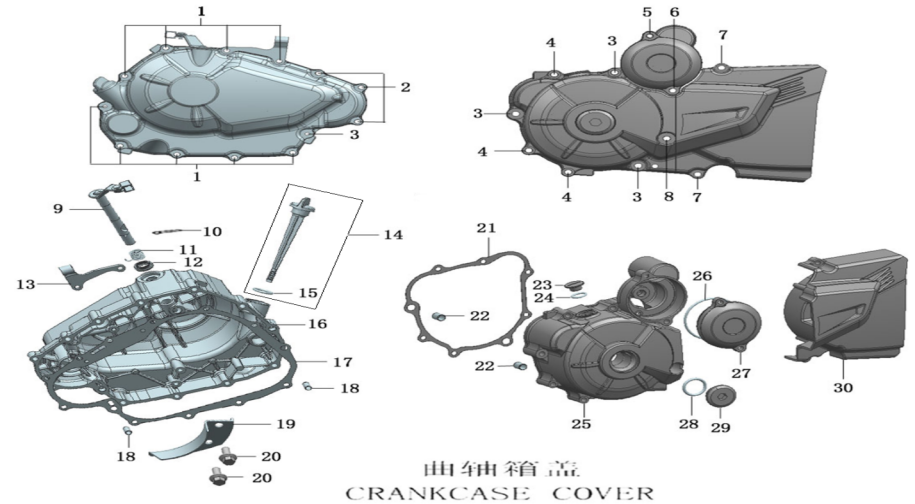
气缸头部件/气缸体部件
CYLINDER HEAD ASSY/CYLINDER ASSEMBLY

	PART CODE	CHINESE DESCRIPTION	ENGLISH DESCRIPTION
1	100050892	CPS250气门摇臂组合	Rocker Arm Assembly Va
2	100051841	CB125脚气门锁夹(改进)	Valve Locker
3	100105311	CPS200气门弹簧座(上)	SpRing,Seat
4	100132108	CPS200气门内外弹簧组	Inner SpRing,Assy
5	100105336	CG125D挡油罩组合	Seal Valve Stem
6	100053432	ZY150水冷气门弹簧座	Outer Valve SpRing,Retai
7	100777059	CPS200排气门(2#_751)	Exhaust Valve
8	100105152	CPS250气门摇臂轴	Rocker Shaft
9	100104967	CPS250凸轮轴部件	Gamp Shaft Comp
10	100102810	CPS250摇臂轴定位板	Position Plate Rocker Sha
11	100011173	GB5783螺栓M6×16(兰白)	Bolt, M6×16
12	100105271	CPS200进气门	Intake Valve
13	100105063	CPS250正时从动链轮	Timing Driven Sprocket
14	100011171	GB5783螺栓M6×12(兰白)	Bolt, M6×12
15	100105129	CB250D-G正时链条组合	Sproket Chain
16	100081747	PR250链条张紧板组合	Tension Plate Assy
17	100106544	平垫圈(φ8×1.5×φ14)	Washer,φ8×1.5×φ14
18	100100363	CB125脚张紧条芯轴螺	Bolt
19	100104605	CB125D张紧器密封垫	Gasket Tensioner
20	100777952	CB125D张紧器组合(2#_	Chain Tensioning Wheel
21	100010837	GB70.1螺栓M6×16(兰白)	Bolt, M6×16
22	100107848	O型圈(φ9×1.8_氟硅胶)	O-RING 9×1.8

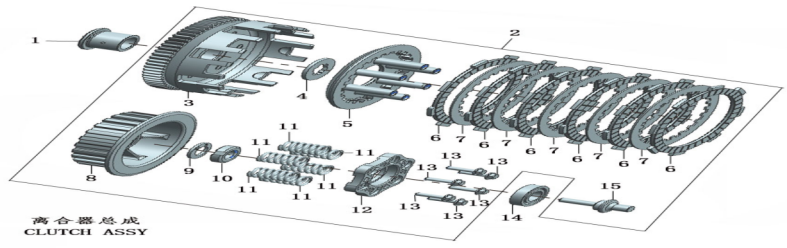


配气机构 VALVE MECHANISM

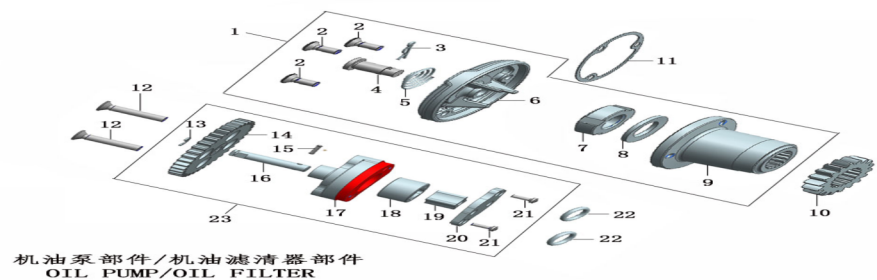
	PART CODE	CHINESE DESCRIPTION	ENGLISH DESCRIPTION
1	100011538	GB16674小盘螺栓M6×4	Bolt, M6×40
2	100055587	GB16674小盘螺栓M6×2	Bolt, M6×28
3	100011540	GB16674小盘螺栓M6×5	Bolt, M6×50
4	100011538	GB16674小盘螺栓M6×4	Bolt, M6×40
5	100055588	GB16674小盘螺栓M6×2	Bolt, M6×20
6	100031959	GB16674小盘螺栓M6×7	Bolt, M6×70
7	100055587	GB16674小盘螺栓M6×2	Bolt, M6×28
8	100011543	GB16674小盘螺栓M6×6	Bolt, M6×65
9	100056056	PR150离合器操纵臂组	Clutch Manipulate Arm C
10	100100636	CB125脚操纵臂卡销(发	Clutch Lever Pin
11	100103443	CB125脚离合器操纵臂	Clutch Controlling Arm Sp
12	100104754	CB125脚离合器操纵臂	Oil Seal 12×22×5
13	100056057	PR150离合器钢索支架	Holder Cliutch Cable
14	100104878	C100机油尺组合(整体式	Oil Ruler Assy
15	100031573	O型圈(φ18×3_丁腈胶)	O-Ring,φ18×3
16	100133669	PR150右盖组合(普通款)	Cover Comp.Right Crankc
17	100054996	PR150右曲轴箱盖密封	Gasket R.Crankcase Cove
18	100100868	定位销φ8×14×φ6.3	Dowel Pin,φ8×14×φ6.3
19	100053696	PR150机油泵挡板	Baffle
20	100055591	GB16674小盘螺栓M6×1	Bolt, M6×12
21	100054998	PR150左曲轴箱前盖密	Gasket L.Crankcase Cove
22	100010557	定位销φ10×14(RoHS)	Pin,φ10×14



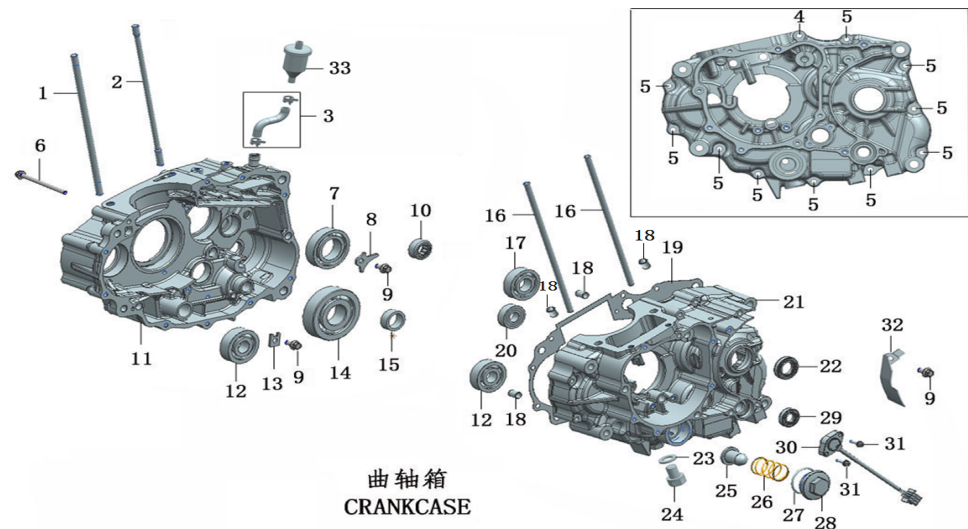
	PART CODE	CHINESE DESCRIPTION	ENGLISH DESCRIPTION
1	100081730	PR250六档离合器衬套	Sleeve Clutch
2	100081725	PR250六档离合器总成	Clutch Assy
3	100081728	PR250六档离合器外罩组合	Out Case Assembly Clutch
4	100103341	CB125脚离合器花键垫圈	Washer
5	100050125	CG200-A水冷离合器压盘	Pressure Plate Clutch
6	100203044	CG200-A水冷离合器主动摩擦片(富士摩擦片)	Drive Friction Disk
7	100103422	CG150D离合器从动摩擦片(六柱)	Outer Friction Disk A
8	100202923	CG200-A水冷离合器中心套	Center Sleeve Clutch
9	100103345	CB125脚离合器碟形垫圈(16.5×2×27)	Dish Washer,Clutch
10	100100523	CB125脚机油滤清器螺母	Nut
11	100202978	CG200-A水冷离合器弹簧	SpRing,Clutch
12	100103373	CG200D-B离合器端盖	End Cover Clutch
13	100100429	CG150D离合器法兰盘螺栓M5×20(兰白锌)	Bolt,M5×20
14	100010690	轴承(16003)	Bearing, 16003



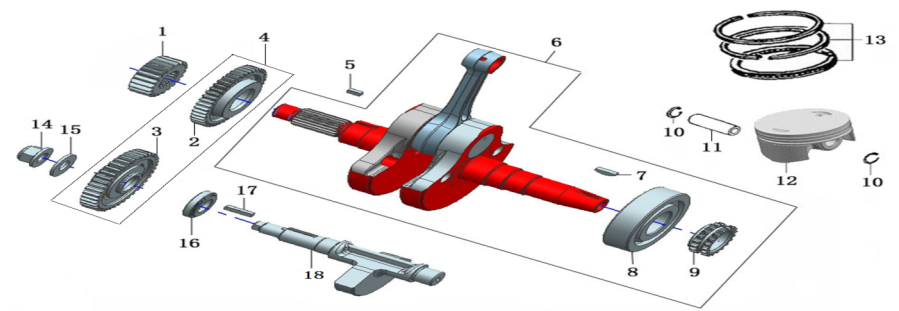
	PART CODE	CHINESE DESCRIPTION	ENGLISH DESCRIPTION
1	100104842	SB125机油滤清器部件	Oil Filter Comp
2	100010978	GB819.2螺钉M5×12(兰)	Screw, M5×12
3	100104850	CB125脚机油滤清器开口销	Open Pin
4	100104843	CB125脚机油滤清器出油管	Oil Pipe
5	100104844	CB125脚机油滤清器出油管弹簧	SpRing, Oil Pipe
6	100104849	SB125机油滤清器盖(抛丸钝化)	Oil Filter Cover
7	100100524	SB125机油滤清器螺母	Nut
8	100103345	CB125脚离合器碟形垫圈(16.5×2×27)	Dish Washer, Clutch
9	100104846	SB125机油滤清器转子组件	Rotor Ass. Of Oil Filter
10	100100092	CB133机油泵驱动齿轮	Drive Gear Oil Pump
11	100104600	SB125滤清器端盖密封垫	Gasket Oil Filter
12	100123472	GB819.2螺钉M6×32(兰)	Screw, M6×32
13	100011110	GB896挡圈5(RoHS)	Retaining Ring, 5
14	100081734	PR250机油泵齿轮组合	Oil Pump Gear Assy
15	100032878	GB119.1圆柱销φ2.5×10	Pin, φ2.5×10
16	100081739	PR250机油泵轴	Oil Pump Shaft



	PART CODE	CHINESE DESCRIPTION	ENGLISH DESCRIPTION
1	100100256	CB180D气缸双头螺栓A	Cylinder Stud Bolt A
2	100204636	CB180D气缸双头螺栓A	Cylinder Stud Bolt A
3	100206020	CG250通气管组件(卡箍)	Pipe Assy
4	100033088	GB16674小盘螺栓M6×8	Bolt, M6×85
5	100011540	GB16674小盘螺栓M6×5	Bolt, M6×50
6	100011543	GB16674小盘螺栓M6×6	Bolt, M6×65
7	100101185	轴承(6006×2/20_C3)	BeaRing,(6006×2/20_C3)
8	100205818	CB250六档主轴轴承压板	Pressure Plate Bearing
9	100055591	GB16674小盘螺栓M6×1	Bolt, M6×12
10	100059484	轴承(NK15×27×12_滚针)	NEEDLE BUSH,(NK15×27×
11	100780135	PR300右曲轴箱组合(88	Right Crankcase Block
12	100777105	轴承(6303/4PC3)	Bearing,(6303_C3)
13	100053701	PR150平衡轴轴承挡板	Baffle
14	100066540	轴承(TM63/28X1E2/P5)	BeaRing,(TM63/28X1E2/
15	100101062	轴承(HK21×28×10_滚针)	Needle BeaRing,(Hk21×2
16	100100311	CB200气缸双头螺栓B(2	Cylinder Stud Bolt B
17	100100951	轴承(6204_C3)	BeaRing,(6204_C3)
18	100010557	定位销φ10×14(RoHS)	Pin,φ10×14
19	100781073	PR300曲轴箱密封垫	Gasket Inlet Pipe
20	100054647	轴承(6202Z_C3_东培)	Bearing,(6202Z_C3)
21	100780134	PR300左曲轴箱组合(88	Left Crankcase Block
22	100104700	CB125脚副轴油封(20×3	Oil Seal 20×34×7

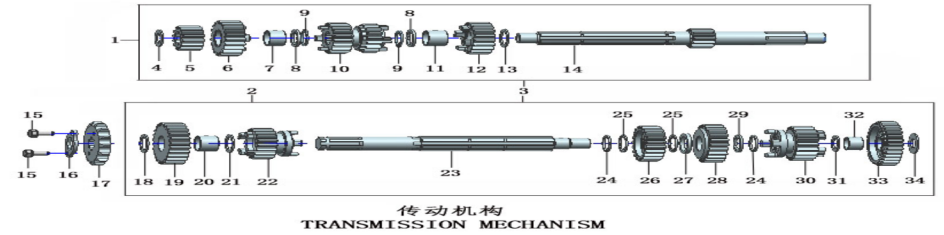


	PART CODE	CHINESE DESCRIPTION	ENGLISH DESCRIPTION
1	100081723	PR250主动齿轮(22齿)	Primary Drive Gear
2	100145594	PR250平衡主动齿轮	Driving Gear
3	100081719	PR250平衡从动齿轮组	Driven Gear Assy
4	100777915	PR250平衡主从动齿轮	Drive Gear Set Balance S
5	100100670	NC250平衡轴平键(4×4×	Tabulate Key
6	100081714	PR250曲轴连杆部件	Crankshaft Connecting-R
7	100100644	CG125D半圆键(25×12.5	SEMICIRCULAR KEY
8	100066540	轴承(TM63/28X1E2/P5)	BeaRing,(TM63/28X1E2/
9	100101986	CB250水冷四气门正时	Hub Dump Chain Sprocke
10	100100590	NC250活塞销挡圈	Check Ring Piston Pin
11	100749349	CPS250活塞销(缸径75)	Pin,Piston
12	100749348	CPS250活塞(缸径75)	Piston
13	100749353	CPS250活塞环总成(DLC	Piston Ring,Comp
14	100204699	CG125脚磁电机安装螺	Nut
15	100106399	平垫圈(φ12.2×2×φ27)	Washer,φ12.2×2×φ27
16	100081718	PR250平衡轴轴套	Balance Shaft Collar
17	100068412	TM250平衡轴平键4×4×	Tabulate Key
18	100081716	PR250平衡轴	Balance Shaft



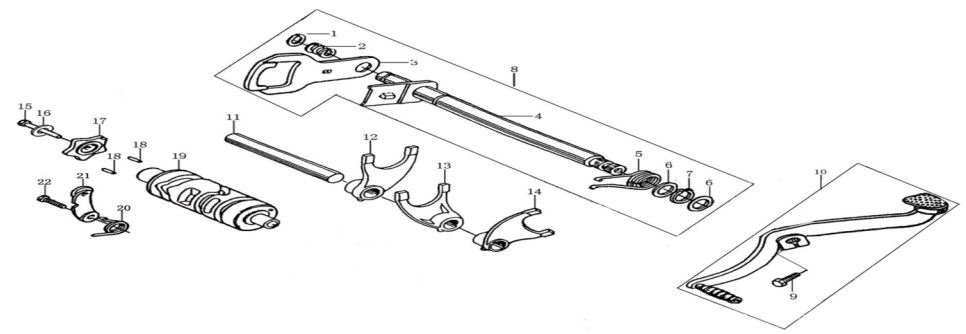
曲轴连杆部件/活塞
CRANKSHAFT CONNECTING-ROD ASSY/PISTON

	PART CODE	CHINESE DESCRIPTION	ENGLISH DESCRIPTION
1	100081816	PR250六档主轴组合	Main Shaft Transmission
2	100102589	CBS250六档副轴组合(2#_副轴166)	Coutershaft Transmission
3	100081744	PR250六档主副轴组合	Transmission Main Count
4	100106510	平垫圈($\phi 15.2 \times 1 \times \phi 25$ _工具钢)	Washer, $\phi 15.2 \times 1 \times \phi 25$
5	100102580	CBS250六档主轴二档齿轮	Gear M-2
6	100102582	CBS250六档主轴六档齿轮	Gear M-6
7	100102564	CBS250六档主轴六档齿轴套	Gear Bush
8	100103647	CB125脚齿轮隔圈(17.3(20) $\times 1.6 \times 26$)	Washer, 17.3(20) $\times 1.6 \times 26$
9	100103658	CG125D主轴齿轮卡圈	Circlip
10	100102583	CBS250六档主轴三四档齿轮	Gear M-3/4
11	100102563	CBS250六档主轴五档齿轴套	Gear Bush
12	100102581	CBS250六档主轴五档齿轮	Gear M-5
13	100106470	平垫圈($\phi 20.2 \times 1 \times \phi 27$ _弹簧钢)	Washer, $\phi 20.2 \times 1 \times \phi 27$
14	100081746	PR250六档主轴芯轴	Transmission Main Shaft



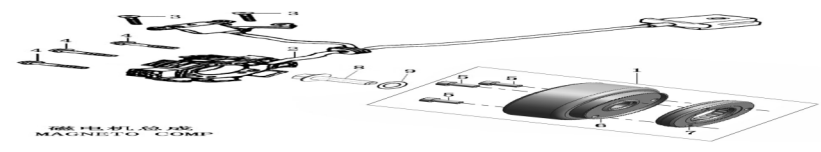
15	100031911	GB5783螺栓M6×10(兰	Bolt, M6×10
16	100103850	CB125脚主动链轮固定	Fixing Plate Drive Sprock
17	100103810	CG125D主动链轮(428.1	Drive Sprocket
18	100106511	平垫圈(φ15.2×1×φ30)	Washer,φ15.2×1×φ30
19	100102595	CBS250六档副轴2档齿 轮	Gear M-2
20	100301853	CBS250六档副轴2档齿 轮衬套	Gear Bush
21	100106511	平垫圈(φ15.2×1×φ30)	Washer,φ15.2×1×φ30
22	100102599	CBS250六档副轴6档齿 轮	Gear M-6
23	100102591	CBS250六档副轴芯轴(2#_副轴166_内花键加 长10)	Transmission Counter Shaft
24	100100632	CB250六档副轴齿轮挡 圈(3、4挡)	Check Ring
25	100106032	CB250六档副轴齿轮隔 圈	Washer
26	100102597	CBS250六档副轴4档齿 轮	Gear M-4
27	100106034	CB250六档副轴齿轮隔 圈(2)	Washer
28	100102596	CBS250六档副轴3档齿 轮	Gear M-3

	PART CODE	CHINESE DESCRIPTION	ENGLISH DESCRIPTION
1	100011095	GB894.1挡圈12(轴径12)	CIRCLIP 12
2	100103978	CG125D换档板弹簧	SpRing,Gearshift Plate
3	100103999	CG125D换档板(五档循环)	GEARSHIFT PLATE
4	100120242	PR250换档轴芯轴	Gearshift Shaft
5	100103971	CB125脚换档回位弹簧	Return Spring
6	100106402	平垫圈($\phi 14 \times 0.5 \times \phi 20$)	Washer, $\phi 14 \times 0.5 \times \phi 20$
7	100011096	GB894.1挡圈14(轴径14)	Retaining Ring, 14
8	100131436	PR250换档臂部件(五档)	Gearshift Lever Comp
9	100011174	GB5783螺栓M6×20(白锌)	BOLT M6×20
10	100204007	CG125D变速踏板部件(脚踏)	Gearshift Shaft
11	100103914	CB125脚拨叉轴	Shaft Gearshift Fork
12	100081742	PR250六档副轴右拨叉	Right Fork Countershaft
13	100081740	PR250六档主轴拨叉	Center Fork Mainshaft
14	100081813	PR250五档副轴左拨叉	Left Fork Countershaft
15	100033035	GB5783螺栓M6×22(兰白)	Bolt, M6×22
16	100010886	GB93弹垫 $\phi 6$ (白锌)	Washer, $\phi 6$
17	100082850	CBS300六档五星板	Stopping Plate
18	100032886	GB119.1圆柱销 $\phi 4 \times 10$	Pin, $\phi 4 \times 10$
19	100081732	PR250六档变速鼓(六档)	Gearshift Drum
20	100203938	CB250六档定位板弹簧	SpRing, Locating Plate
21	100203965	CB250六档定位板组合	Locating Plate Assy
22	100011174	GB5783螺栓M6×20(兰白)	Bolt, M6×20

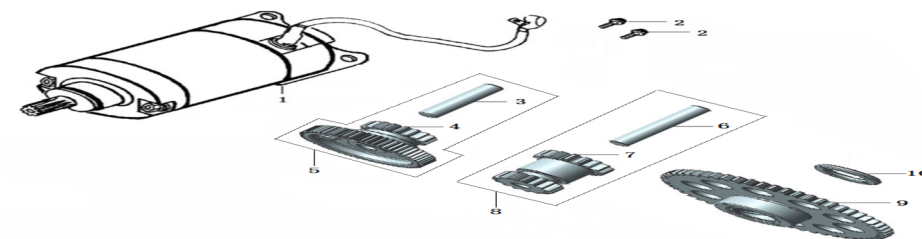


变速机构 GEARSHIFT MECHANISM

23			
	PART CODE	CHINESE DESCRIPTION	ENGLISH DESCRIPTION
1	100130486	PR150电喷磁电机转子组合(12V12极_楔块式超离_凸包个数23)	Rotor Assy Magneto
2	100079526	PR150电喷磁电机定子组合(12V12极_三相全波直流_接口SQBZ-G1_L1:330)	Stator Assy Magneto
3	100011169	GB5783螺栓M5×16(兰白锌)	Bolt, M5×16
4	100031909	GB5783螺栓M5×30(兰白锌)	Bolt, M5×25
5	100100499	CG125D超越离合器紧固螺钉M8×18(彩锌)	BOLT M8×18
6	100104199	CG125D磁电机转子组合(12V8极_不带超越离合器)	ROTOR ASSY,MAGNETO
7	100103204	CG200-A水冷超越离合器部件(楔块式)	ASSEMBLY, OVERRUNNING CLUTCH
8	100050578	CG125D磁电机安装螺栓M10×36(改进型)	Bolt,M10×36
9	100053900	平垫圈(φ10.5×2.5×φ24)	Washer, φ10.5×2.5×φ24



	PART CODE	CHINESE DESCRIPTION	ENGLISH DESCRIPTION
1	100081750	PR250启动电机(单线_	Starting Motor Assy
2	100011269	GB5789螺栓M6×28(兰	Bolt, M6×28
3	100103228	CB125D双联齿轮轴	Shaft Reduction
4	100054759	PR150双联齿轮(一)	Gear Reduction 1
5	100054758	PR150双联齿轮组合(一)	Gear Reduction 1
6	100054756	PR150双联齿轮轴	Shaft Reduction
7	100054757	PR150双联齿轮(二)	Gear Reduction 2
8	100054755	PR150双联齿轮组合(二)	Gear Reduction 2
9	100054752	PR150启动大齿轮组合	Ate Gear Assy
10	100050417	CB125D盘形齿垫圈(3#	Washer,φ22×2.5×φ34



电启动机构
ELECTRIC STARTING MECHANISM

	PART CODE	CHINESE DESCRIPTION	ENGLISH DESCRIPTION
1	100205429	整流调压器(三相全波_	Rectifier
2	100205381	继电器(MQJ10-ZS01A)	Relay



电器件 ELECTRIC